



1.0.1 Operating Elements Contents

Inhalt/Contents	Seite/ Page
Operating elements in the cab	3
Operating elements and electrical components in the cab (circuit diagram)	4
Operating elements and electrical components on the steering column	5
Operating elements and electrical components on the steering column (switch plan)	6
Operating elements and electrical components, operating console, right , Citymaster	7
Operating elements and electrical components, operating console, right , Citycleaner	8
Operating elements and electrical components, operating console, right (circuit diagram)	9
Throttle	10
Operating elements and electrical components, operating console, cab roof	11



1.0.1 Operating Elements Contents

Inhalt/ Contents	Seite/ Page
Operating elements and electrical components, operating panel, cab roof (switch plan)	12
Operating elements, side console, left	13
Pedals on the cab floor	14
Notes	15 - 16

1.0.1 Operating Elements

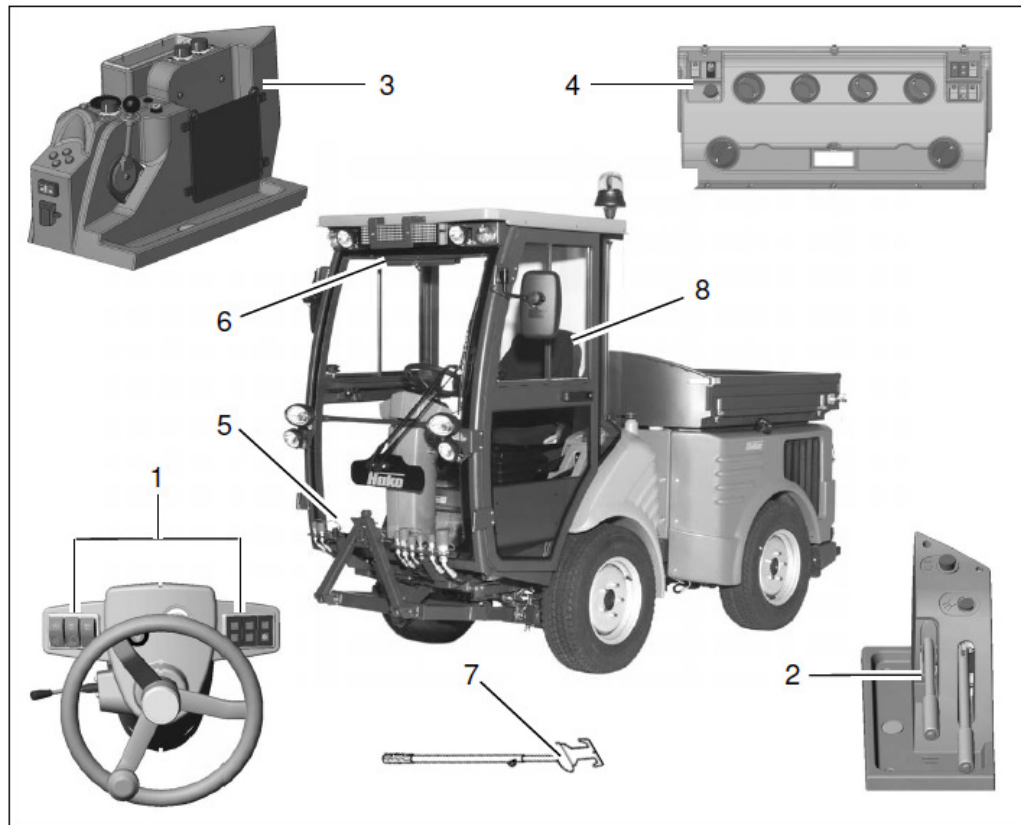
Control elements in the cabin

Operation

2.4 Operating elements inside the cabin

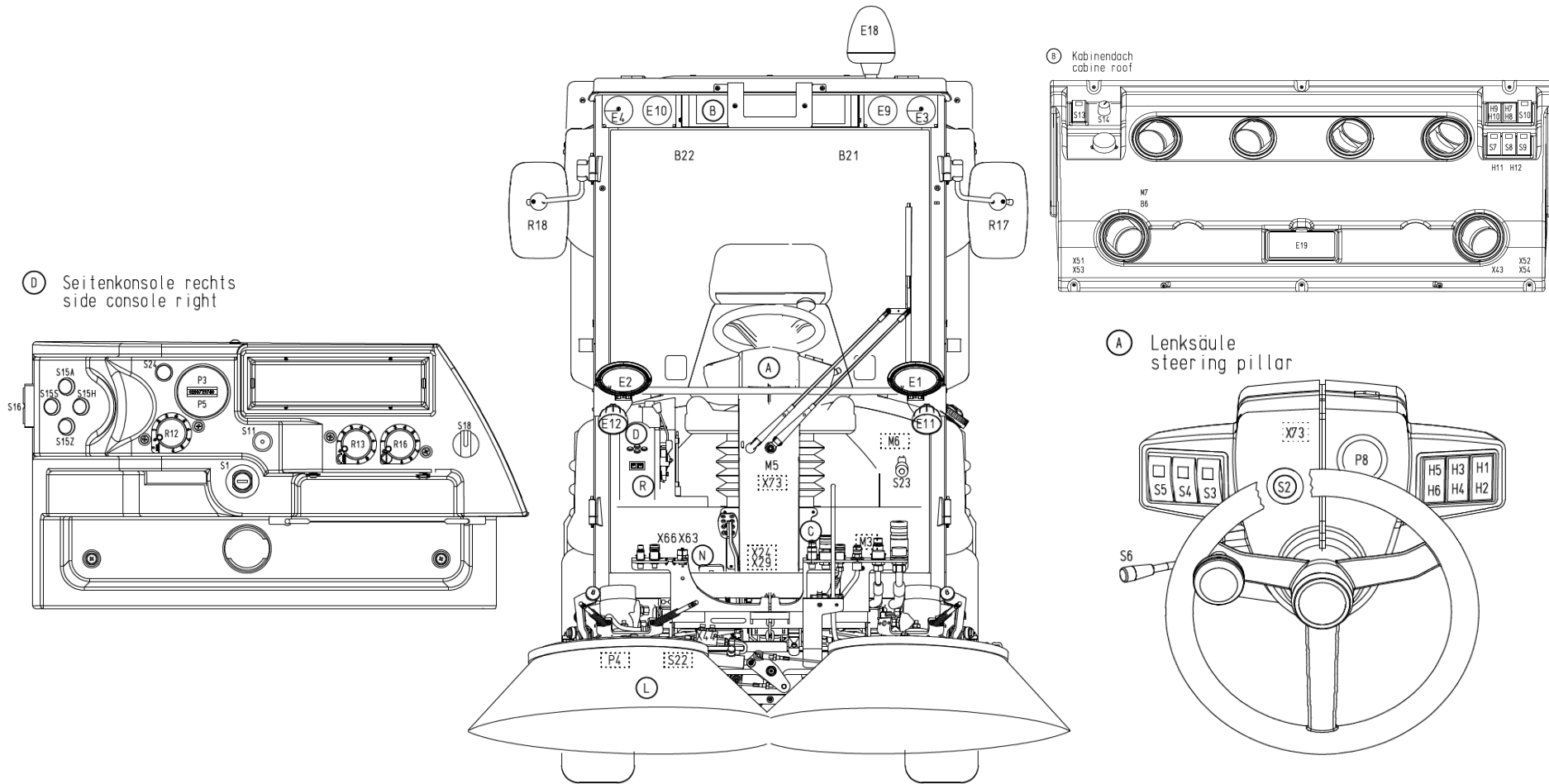
2.4.1 Cabin overview

- 1 Steering column operating panel
- 2 Operating panel, left-hand side
- 3 Operating panel, right-hand side
- 4 Operating panel, cabin roof
- 5 Pedal system
- 6 Sun blind
- 7 Auxiliary tool
- 8 Driver's seat



1.0.1 Operating Elements

Operating elements and electrical components, cab, circuit diagram page 22



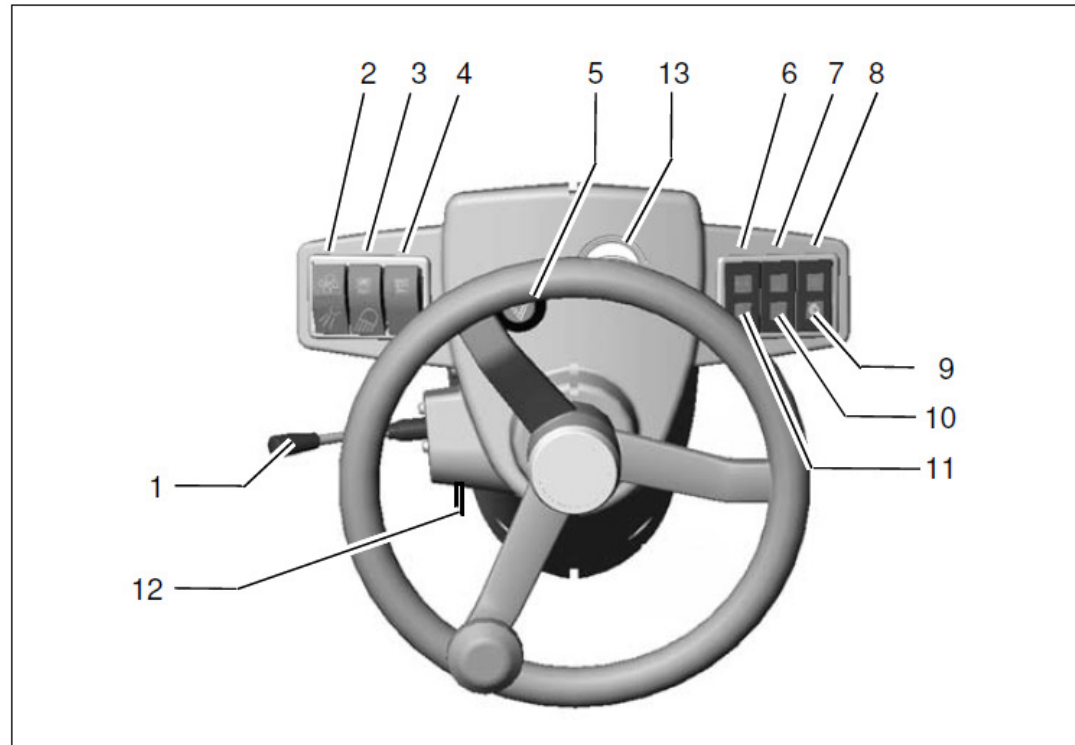
1.0.1 Operating Elements

Operating elements and electrical components on the steering column

Operation

2.4.2 Steering column operating panel

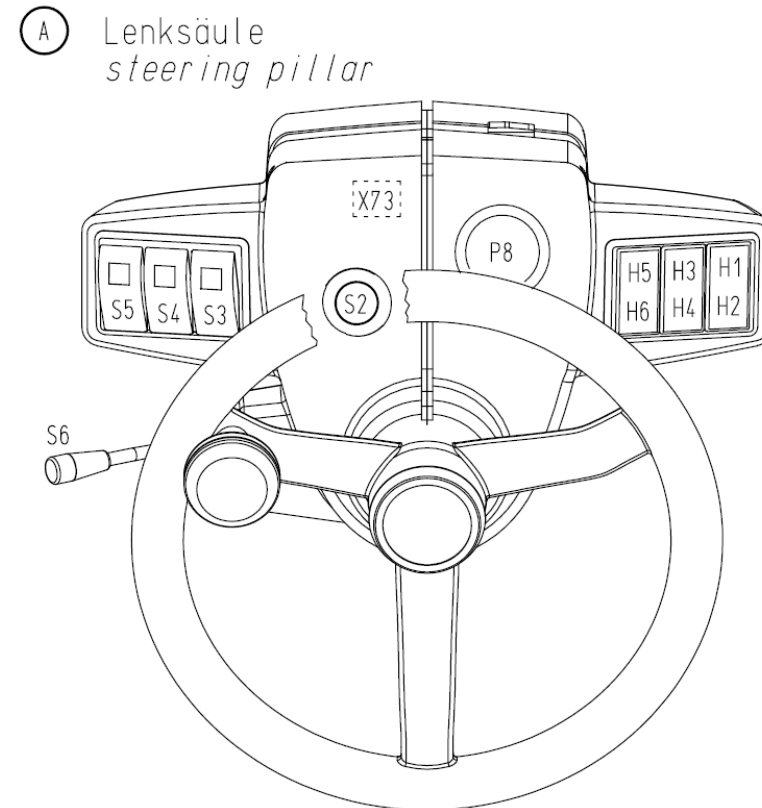
- 1 Indicator light switch / horn
- 2 Switch for suction turbine and water pump
- 3 Working lights
- 4 Flashing beacon
- 5 Hazard warning lights switch
- 6 Control lamp, indicator lamp
- 7 Control lamp, water temperature
- 8 Control lamp, battery charging control
- 9 Control lamp, preheating
- 10 Control lamp, oil pressure
- 11 Control lamp, fuel
- 12 Lever for solution for vacuum nozzle
- 13 Temperature display for the hydraulic oil



1.0.1 Operating Elements

Operating elements and electrical components on the steering column, switch plan, sheet 22

- H1 Kontrollleuchte Batterie- Ladekontrolle**
- H1 Pilot lamp battery**
- H2 Kontrollleuchte Vorglühen**
- H2 Pilot Lamp pre heat glow plugs**
- H3 Kontrollleuchte Kühlwasser- Temperatur Motor**
- H3 Pilot lamp coolant temperature engine**
- H4 Kontrollleuchte Motoröldruck**
- H4 Pilot lamp engine oil pressure**
- H5 Kontrollleuchte Blinker**
- H5 Pilot lamp direction indicator**
- H6 Reserveanzeige Kraftstoff**
- H6 Pilot lamp fuel level**
- P8 Anzeigeinstrument Hydrauliköltemperatur**
- P8 Display hydraulic oil temperature**
- S2 Warnblinkschalter**
- S2 Switch warning flasher**
- S3 Schalter Rundumkennleuchte (RKL)**
- S3 Switch rotating beacon**
- S4 Schalter Arbeitsscheinwerfer (Option)**
- S4 Switch work light (opt. 2nd work light)**
- S5 Schalter Sauggebläse/ Wasserpumpe**
- S5 Schalter Mähwerk ein, Variante Citytrac**
- S5 Switch vacuum fan/ water pump**
- S5 Switch lawnmower variant Citytrac**
- S6 Lenkstockscharter**
- S6 Guidance stick switch**

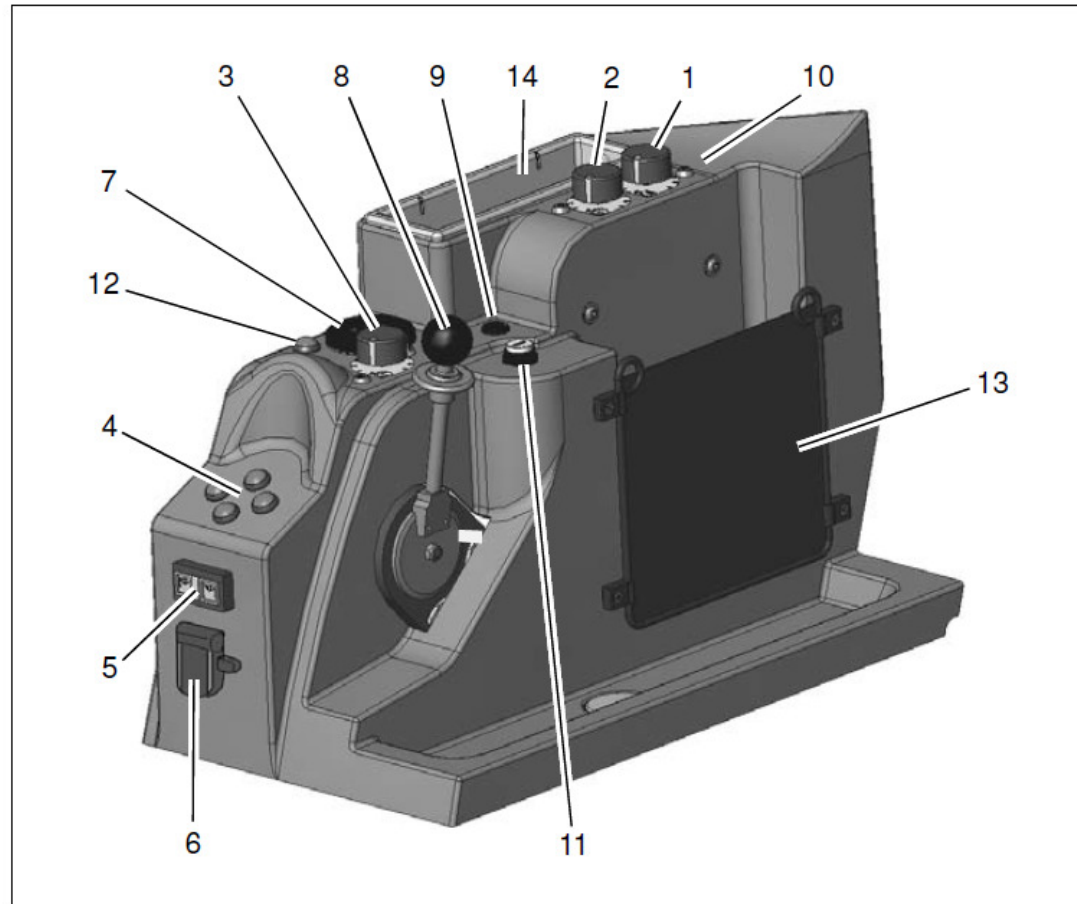


1.0.1 Operating Elements R- h operating console, Citymaster

Operation

2.4.3 Operating panel right-hand side

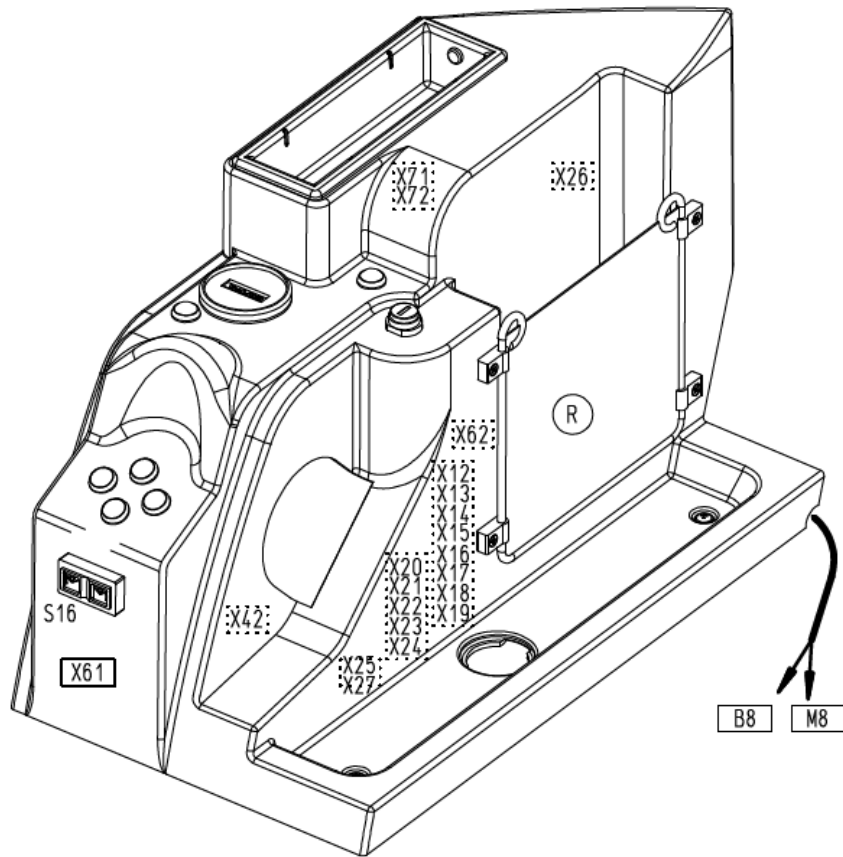
- 1 Solution quantity for scrubbing system (optional)
- 2 Speed adjustment for circular brushes/circular scrubbers
- 3 Pressure adjustment (optional) for front attachment devices
- 4 Key pad lifting, lowering and sideways movement for front attachment devices
- 5 Selection switch for wedge snowplow
Selection switch for scrubbing system (optional)
- 6 3-pole socket
- 7 Operating hour meter
Sweeping distance meter (optional)
- 8 Speed adjustment lever for engine
- 9 Switch for wing mirror heating (optional)
- 10 Reversing signal ON/OFF (optional)
- 11 Ignition switch
- 12 Reset switch for operating hour meter
- 13 Compartment for operating manual
- 14 Space for installing a radio



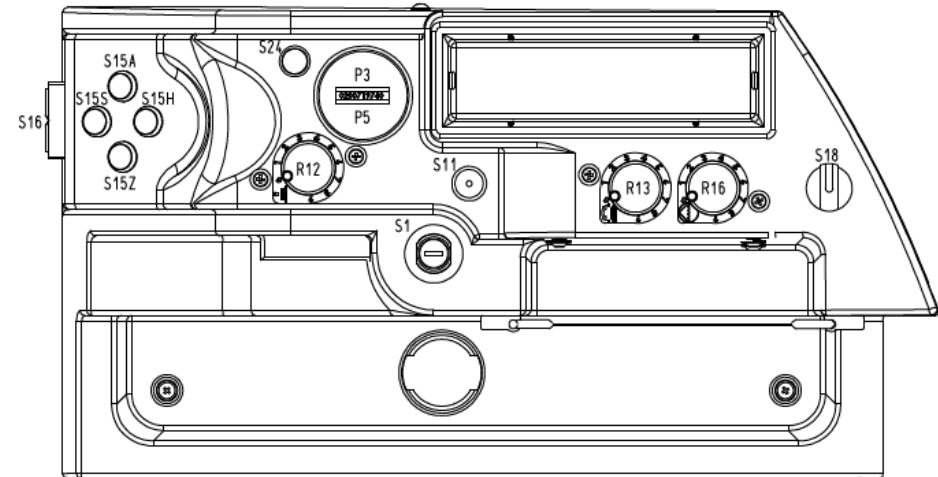
1.0.1 Operating Elements

Operating console, right
circuit diagram, sheet 23

Ⓓ Seitenkonsole rechts
side console right



Ⓓ Seitenkonsole rechts
side console right



1.0.1 Operating Elements

Throttle

Throttle

The throttle serves to adjust the engine speed and select the driving mode.

Up to first notch (2nd lock position):

Engine in neutral; Transport mode (2-wheel drive); max. 30 kph.

The driving speed and engine speed are controlled by the accelerator pedal. Work hydraulic inhibited/switched on

Beyond first notch (2nd lock position):

Engine in neutral; Work mode (4-wheel drive); max. 16 kph.

Only the driving speed is controlled by the accelerator pedal!

Work hydraulic active/switched on

Up to second notch (3rd lock position):

Running speed 2450 1/min; Work mode (4-wheel); max. 16 kph.

Only the driving speed is controlled by the accelerator pedal!

Work hydraulic active/switched on

Final lock position:

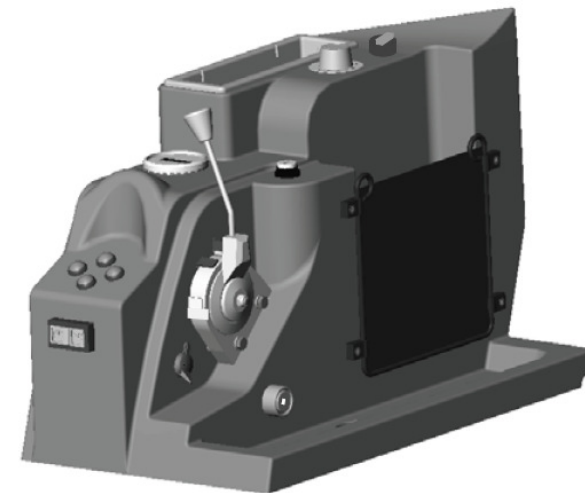
Max. engine speed 2750 1/min; Work mode (4-wheel) max. 16 kph.

Only the driving speed is controlled by the accelerator pedal!

Work hydraulic active/switched on

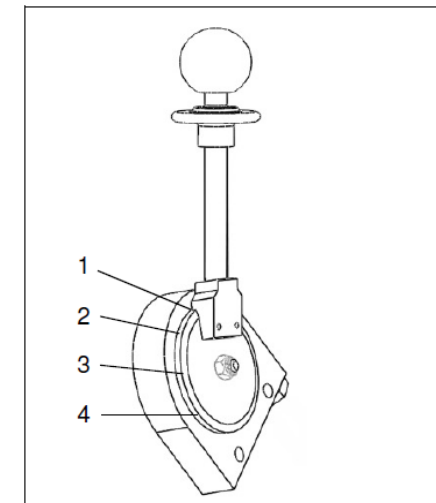
Attention:

The Bowden cable actuates a cam disk on the accelerator pedal and has no direct connection to the engine.



Speed adjustment lever for engine (Fig. 11/8)

This serves to modify the engine speed and to choose the driving mode.



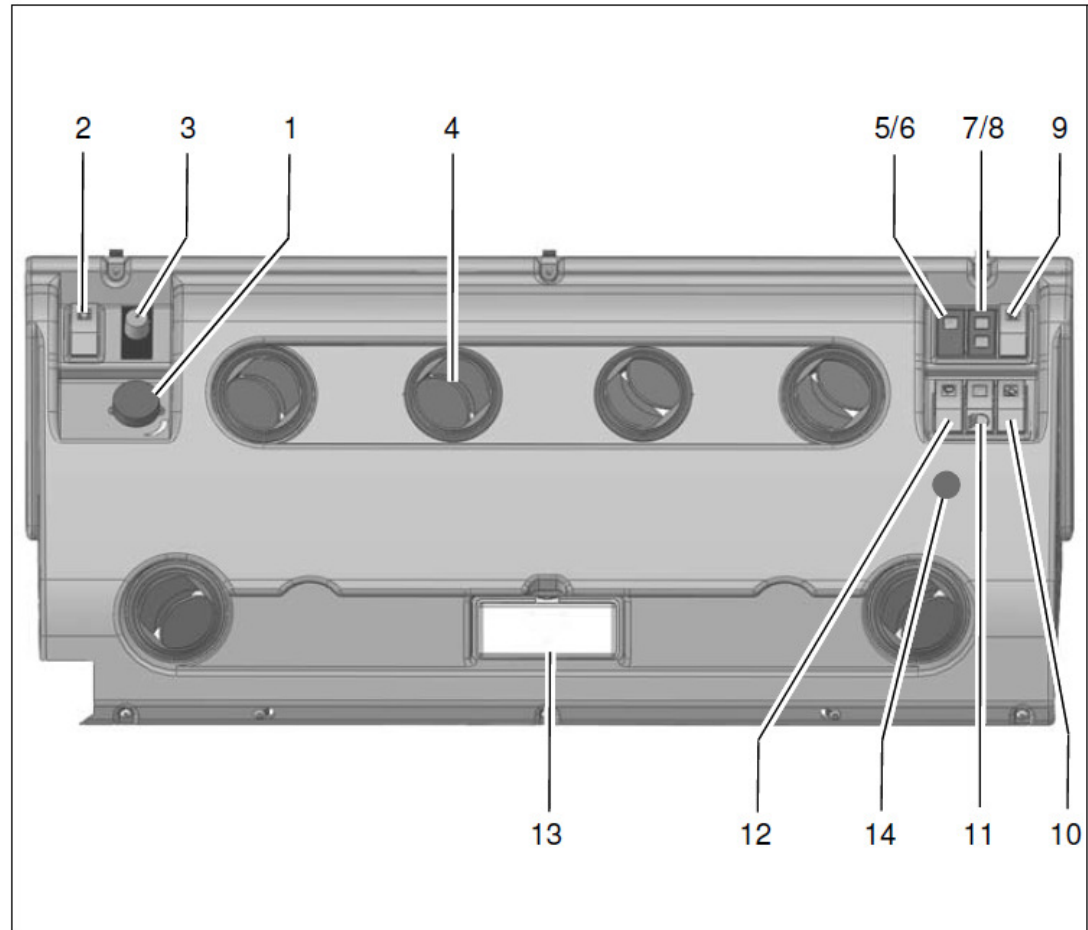
- 1 Up to the first notch
- 2 Past the first notch
- 3 Before the second notch
- 4 End stop

1.0.1 Operating Elements Cabin Roof operating panel

Operation

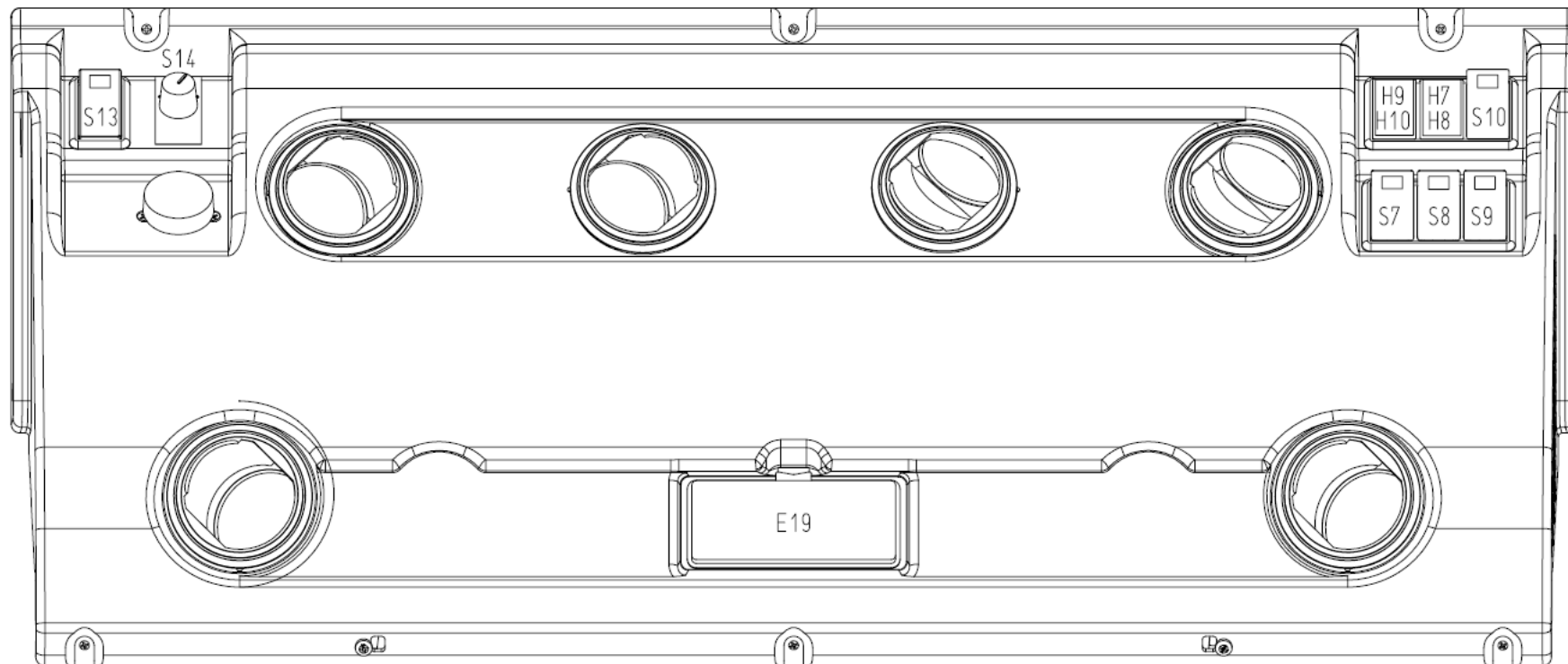
2.4.5 Operating panel on cabin roof

- 1 Heating valve
- 2 Air-conditioning unit (Comfort)
- 3 Rotary switch, fresh air / heating fan
- 4 Air flow openings
- 5 Control lamp for parking brake
- 6 Indicator control lamp trailer/ spreader (optional)
- 7 Control lamp for hydraulics temperature
- 8 Control lamp for dirt hopper lifted
- 9 Pre-selection switch for pushing down the front attachment device / rapid emptying for rear-mounted spreader
- 10 Button for lifting and lowering the dirt hopper
- 11 Dipped beam / side lamps
- 12 Switch / button for windscreen washer system
- 13 Interior lamp
- 14 Control lamp for load indicator (optional)



1.0.1 Operating Elements
Switch plan, sheet 22

Ⓑ Kabinendach
cabine roof



1.0.1 Operating Elements

L - h operating console

Operation

2.4.4 Left-hand operating panel

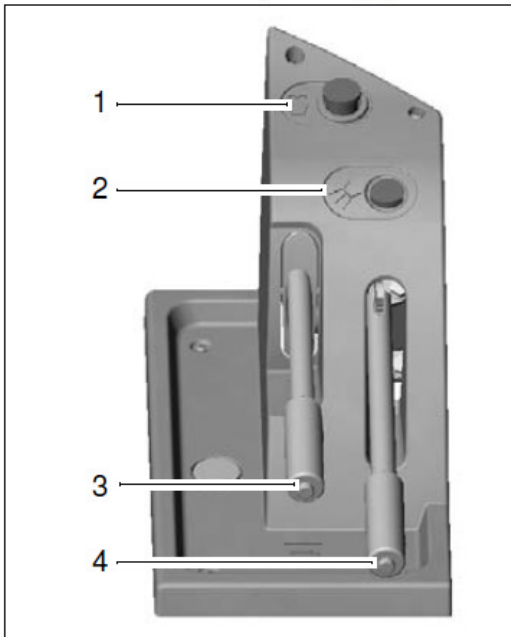


Fig.12

Filling opening for windscreen washer system (Fig. 12/1)

This is used for filling the liquid into the windscreen washer system.



At temperatures below 0°C degrees use an antifreeze.

Spray for circular brushes (Fig. 12/2)
For the control of the water flow to the spray nozzles for the circular brushes.
The water pump must be switched on!

Locking lever for circulation water to the vacuum nozzle (Fig. 12/3)

This serves to block the circulation water to the vacuum nozzle.
Lever down = water supply blocked
Lever up = water supply unblocked

Manual lever for parking brake (Fig. 12/4)

This is used for applying the parking brake. The lever is locked after it is pulled up.

1.0.1 Operating Elements Pedals on cab floor

Operation

2.4.6 Pedal system

- 1 Accelerator pedal, forwards
- 2 Accelerator pedal, reverse
- 3 Service brake
- 4 Differential lock (optional)
- 5 Larger material flap

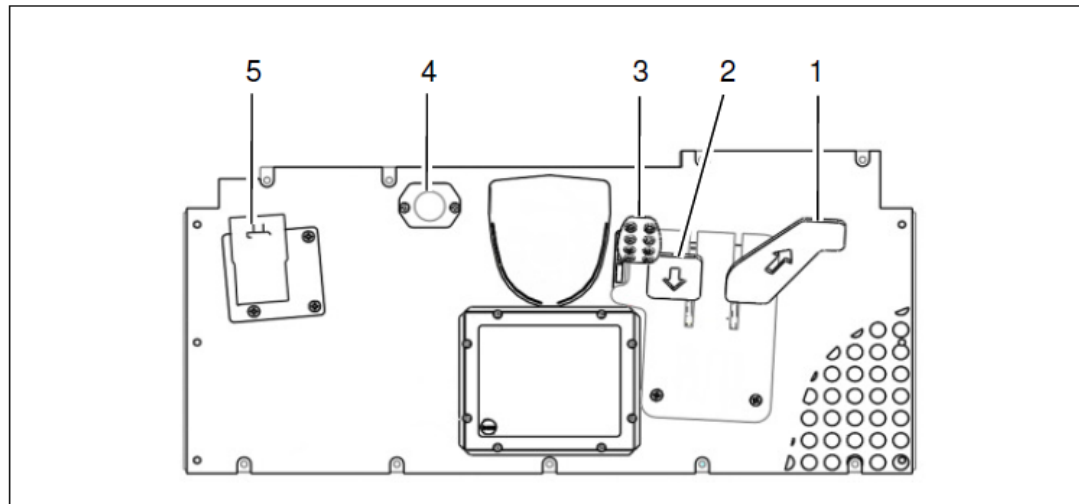


Fig.14

1.0.1 Operating Elements



1.0.1 Operating Elements

